

CODE	DESCRIPTION	PRICE €
00037	COMMUTATORE - SWITCH - UMSCHALTER - COMMUTATEUR - CONMUTADOR	10,86
00128	* ACCENDITORE PIEZO - PIEZO IGNITER - PIEZOZÜNDER - ALLUMEUR PIEZO - ENCENDEDOR PIEZO	9,11
00367	* TERMOCOPPIA - THERMOCOUPLE - THERMOELEMENT - THERMOCOUPLE - TERMOPAR	7,62
00368	* CANDELETTA D'ACCENSIONE - SPARK PLUG - ZÜNDKERZE - BOUGIE D'ALLUMAGE - BUJÍA DE ENCENDIDO	7,62
00369	RUBINETTO - GAS COCK - GASHAHN - ROBINET GAZ - LLAVE DE PASO DEL GAS	24,95
00372	GRUPPO VENTURI (RAPIDO) - VENTURI GROUP (RAPID) - VENTURI GRUPPE (SCHNELL) - GROUPE VENTURI (RAPIDE) - GRUPO VENTURI (RÁPIDO)	11,44
00373	COPERCHIO BRUCIATORE "RAPIDO" - "RAPID" BURNER COVER - DECKEL ZU BRENNER "SCHNELL" - COUVERCLE POUR BRULEUR "RAPIDE" - TAPA QUEMADOR "RÁPIDO"	6,46
00374	GRUPPO VENTURI (ULTRARAPIDO) - VENTURI GROUP (ULTRARAPID) - GROUPE VENTURI (ULTRARAPIDE) - GRUPO VENTURI (ULTRARÁPIDO)	19,96
00375	COPERCHIO BRUCIATORE "ULTRARAPIDO" - COVER FOR ULTRARAPID BURNER - DECKEL ZU "SUPERSCHNELL" BRENNER; COUVERCLE POUR BRULEUR ULTRARAPIDE - TAPA QUEMADOR (ULTRARÁPIDO)	9,97
00376	SUPPORTO PENTOLE - PAN GRID - AUFLAGEROST - SUPPORT MARMITES - SOPORTE OLLAS	96,84
00377	COPPA BRUCIATORE - BURNER CUP - BRENNERKAPPE - CARTER BRULEUR - COPA QUEMADOR	7,62
00379	UGELLO Ø1,45 METANO H/E/E+ 20/25Mbar, LL 20Mbar - NOZZLE - DÜSE - INJECTEUR - INYECTOR	0,60
00380	UGELLO Ø1,30 METANO H/E/E+ 20/25Mbar, L 25Mbar - NOZZLE - INJECTEUR - INYECTOR	0,60
00384	UGELLO Ø1,50 METANO L 25Mbar - NOZZLE - DÜSE - INJECTEUR - INYECTOR	0,60
00385	UGELLO Ø1,60 METANO LL 20Mbar - NOZZLE - DÜSE - TUYERE - INYECTOR	0,60
00388	UGELLO Ø0,75 GPL 50Mbar - NOZZLE - INJECTEUR - INYECTOR	0,60
00389	UGELLO Ø0,82 GPL 50Mbar - NOZZLE - DÜSE - INJECTEUR - INYECTOR	0,60
00390	UGELLO Ø0,85 GPL 28-30/37Mbar - NOZZLE - DÜSE - INJECTEUR - INYECTOR	0,60
00391	UGELLO Ø0,90 GPL 28-30/37Mbar - NOZZLE - DÜSE - INJECTEUR - INYECTOR	0,60
00392	BY PASS Ø0,36 GPL 50Mbar - BY PASS - KLEINSTELLUNGSDÜSE - INJECTEUR DU MINIMUM - BY PASS	0,60
00393	BY PASS Ø0,45 GPL 50Mbar - BY PASS - KLEINSTELLUNGSDÜSE - INJECTEUR DU MINIMUM - BY PASS	0,60
00394	BY PASS Ø0,43 GPL 28-30/37Mbar - BY PASS - KLEINSTELLUNGSDÜSE - INJECTEUR DU MINIMUM - BY PASS	0,60
00395	BY PASS Ø0,55 GPL 28-30/37Mbar - BY PASS - KLEINSTELLUNGSDÜSE - INJECTEUR DU MINIMUM - BY PASS	0,60
00396	BY PASS Ø0,70 METANO H/E/E+ 20/25Mbar , L 25Mbar - BY PASS - KLEINSTELLUNGSDÜSE - INJECTEUR DU MINIMUM - BY PASS	0,60
00397	BY PASS Ø0,90 METANO H/E/E+ 20/25Mbar - BY PASS - KLEINSTELLUNGSDÜSE - INJECTEUR DU MINIMUM - BY PASS	0,60
00398	BY PASS regolabile metano LL 20Mbar - adjustable nat. Gas - regulierbare Kinstellungsdüse - réglable à méthane - regulable metano	0,60
00399	BY PASS Ø0,85 metano L 25Mbar - BY PASS - KLEINSTELLUNGSDÜSE - INJECTEUR DU MINIMUM - BY PASS	0,60

CODE	DESCRIPTION	PRICE €
00401	* MANOPOLA - KNOB - DREHKNOPF - POIGNEE - POMO	5,58
00494	* MANOPOLA TIMER - KNOB FOR TIMER - KNOPF ZU ZEITSCHALTUHR - POIGNEE MINUTERIE - MANOPLA TEMPORIZADOR	5,58
00495	* MANOPOLA TERMOSTATO - KNOB FOR THERMOSTAT - THERMOSTAT KNEBEL - POIGNEE THERMOSTAT - MANOPLA TERMOSTATO	5,58
00563	CRISTALLO ESTERNO PORTA FORNO - EXTERNAL GLASS - AUSSERE GLASSSCHEIBE - VITRE EXTERIEUR - CRISTAL EXTERIOR	27,88
00564	TEGLIA FORNO - BACKING TRAY - BACKBLECH - PLAQUE FOUR - BANDEJA	48,13
00565	* MOTOVENTILATORE COMPLETO DI VENTOLA - ELETTRIC FAN WITH FAN - MOTOR MIT VENTILATOR - ELECTROVENTILATEUR - ELÉCTROROTOR CON ROTOR	60,46
00566	* LAMPADA FORNO - OVEN LAMP - OFEN LAMPE - LAMPE POUR FOUR - LÁMPARA HORNO	7,34
00567	GRIGLIA - GRID - ROST - GRILLE - PARRILLA	18,19
00568	* RESISTENZA PER FORNO - HEATING ELEMENT FOR OVEN - HEIZWIDERSTAND ZU BACKOFEN - RESISTANCE POUR FOUR - RESISTENCIA HORNO	54,29
00569	* TERMOSTATO - THERMOSTAT - THERMOSTAT - THERMOSTAT - TERMOSTATO	33,76
00570	* TIMER x FORNO - TIMER FOR OVEN - ZEITSCHALTUHR ZU BACKOFEN - MINUTERIE POUR FOUR - TEMPORIZADOR HORNO	30,23
00571	CRISTALLO INTERNO PORTA FORNO - INTERNAL GLASS - INNERE GLASSSCHEIBE - VITRE INTERNE - CRISTAL INTERNO	27,88
00602	PIEDINO H=1" ¾ - FOOT - Fuß - PIED - PIECECILLO	19,36
00801	GUARNIZIONE FORNO "60" - GASKET FOR OVEN "60" - DICHTUNG ZU OFEN "60" - GARNITURE FOUR "60" - EMPAQUETADURA HORNO "60"	19,47
00802	CERNIERA DX PORTA FORNO "90" - RIGHT-HINGE FOR OVEN "90" - TÜRSCHARNIER RECHTS ZU OFEN "90" - CHARNIERE DROITE FOUR "90" - CHARNELA DERECHA PUERTA HORNO "60"	10,58
00803	CERNIERA SX PORTA FORNO "90" - LEFT-HINGE FOR OVEN "90" - TÜRSCHARNIER LINKS ZU OFEN "90" - CHARNIERE GAUCHE PORTE FOUR "90" - CHARNELA IZQUIERDA PUERTA HORNO "90"	10,58
00815	TEGLIA FORNO "90" - BACKING TRAY FOR OVEN "90" - BLECH ZU BACKOFEN "90" - PLAQUE POUR FOUR "90" - BANDEJA HORNO "90"	60,46
00816	GRIGLIA FORNO "90" - GRID X OVEN "90" - ROST ZU OFEN "90" - GRILLE POUR FOUR "90" - PARRILLA PARA HORNO "90"	24,06
00859	CRISTALLO INTERNO FORNO "60" - INTERNAL GLASS FOR OVEN "60" - INNERE KRISTALGLASS ZU BACKOFEN "60" - VITRE INTERNE POUR FOUR "60" - CRISTAL INTERNO PARA HORNO "60"	27,88
00878	CRISTALLO ESTERNO FORNO "90" - EXTERNAL GLASS FOR OVEN "90" - ÄUSSERE KRISTALGLAS ZU OFEN "90" - VITRE EXTERIEUR FOUR "90" - CRISTAL EXTERIOR HORNO "90"	58,70
00879	GUARNIZIONE FORNO "90" - GASKET FOR OVEN "90" - DICHTUNG ZU OFEN "90" - GARNITURE FOUR "90" - EMPAQUETADURA HORNO "90"	23,48
00939	CERNIERA DX FORNO "60" - RIGHT-HINGE X OVEN "60" - TÜRSCHARNIER RECHTS ZU OFEN "60" - CHARNIERE DROITE POUR FOUR "60" - CHARNELA DERECHA PARA HORNO "60"	11,74
00940	CERNIERA SX FORNO "60" - LEFT-HINGE FOR OVEN "60" - TÜRSCHARNIER LINKS ZU OFEN "60" - CHARNIERE GAUCHE POUR FOUR "60" - CHARNELA IZQUIERDA PARA HORNO "60"	11,74

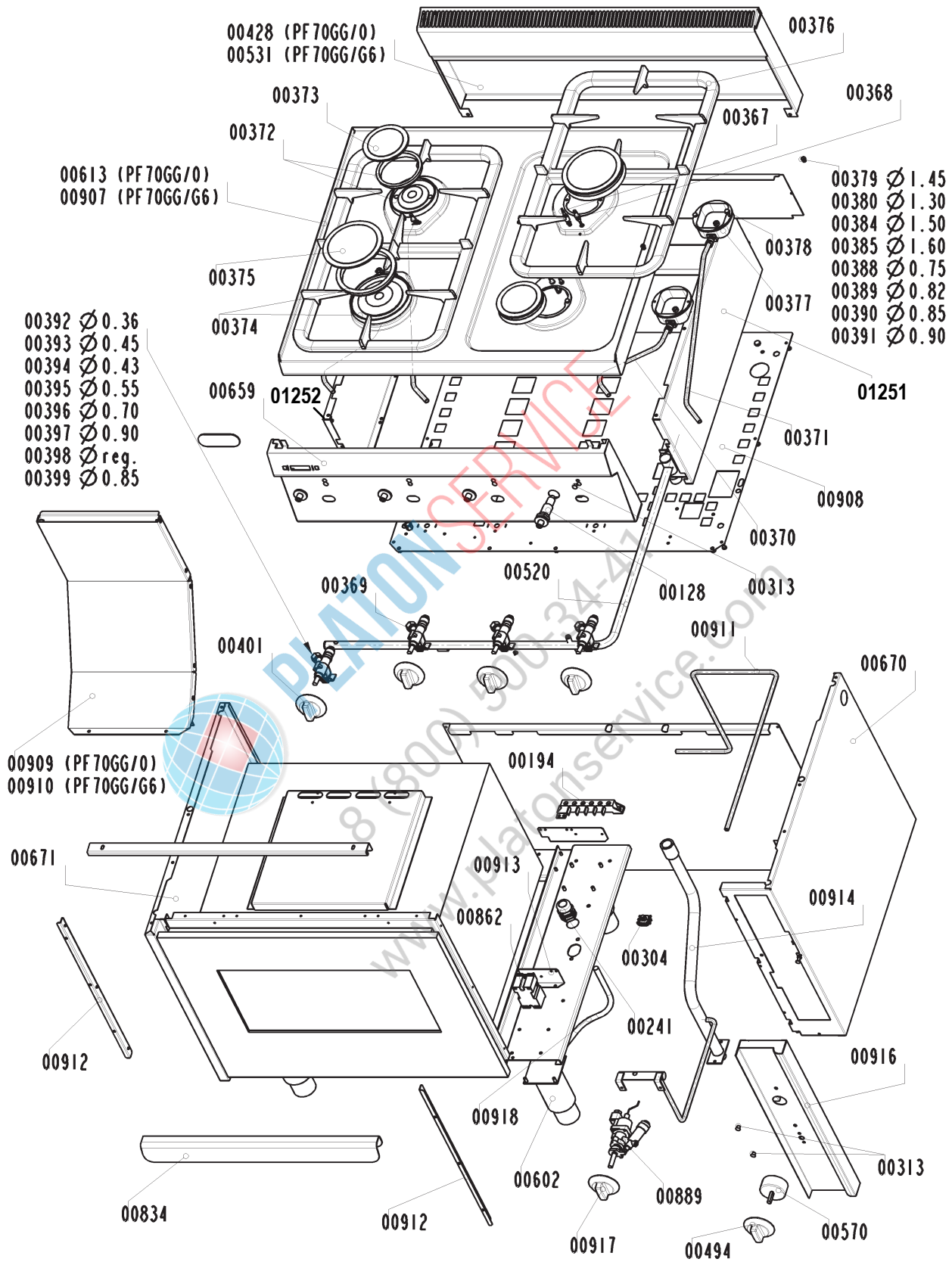
CODE	DESCRIPTION	PRICE €
01289	MICROINTERRUTTORE - MICROSWITCH - MIKROSCHALTER - MICROINTERRUPTEUR - MICROINTERRUPTOR	13,52
* Parti di ricambio consigliate - Suggested spare parts - Empfohlene Ersatzteile - Pièces de rechange conseillées - Repuestos aconsejados		

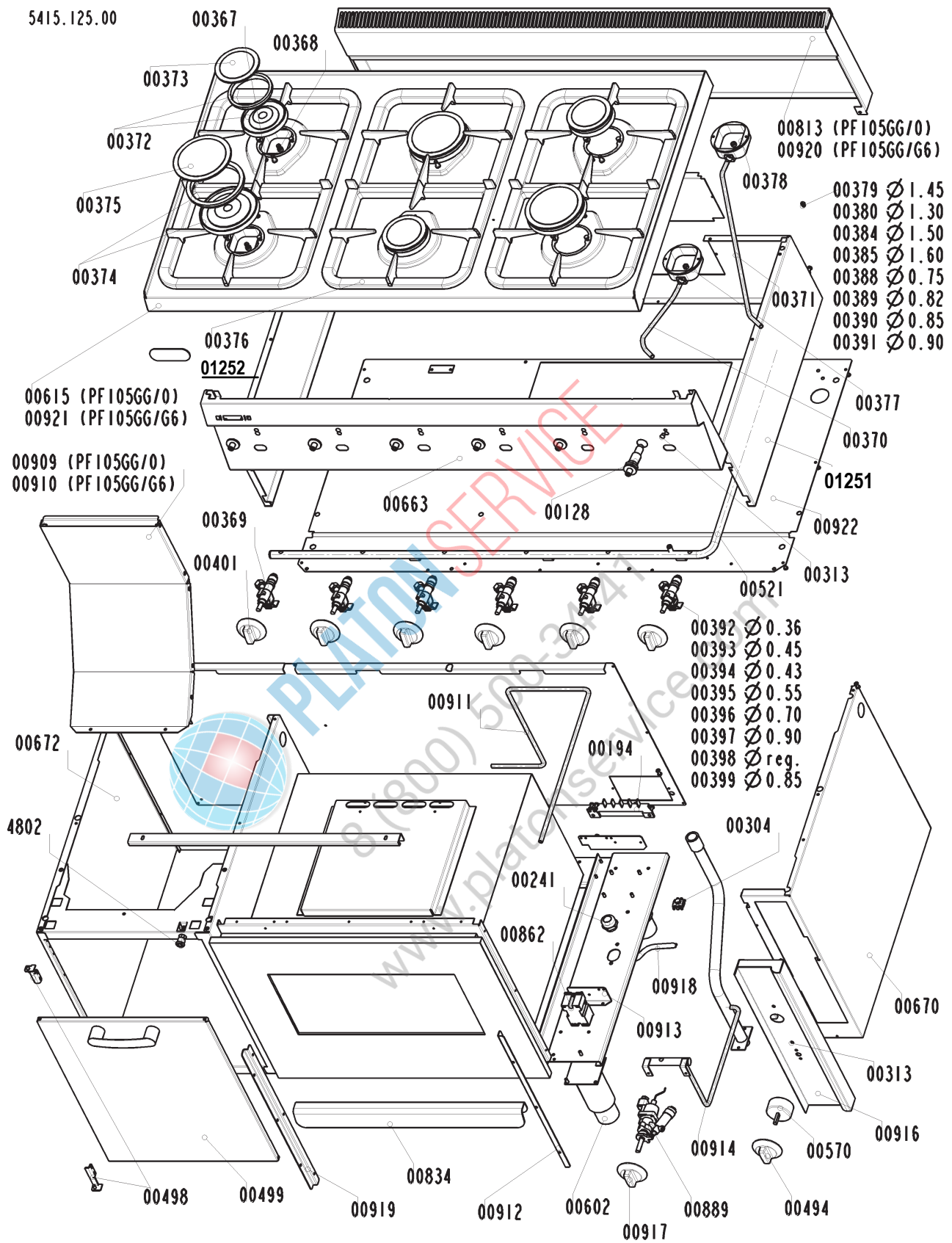


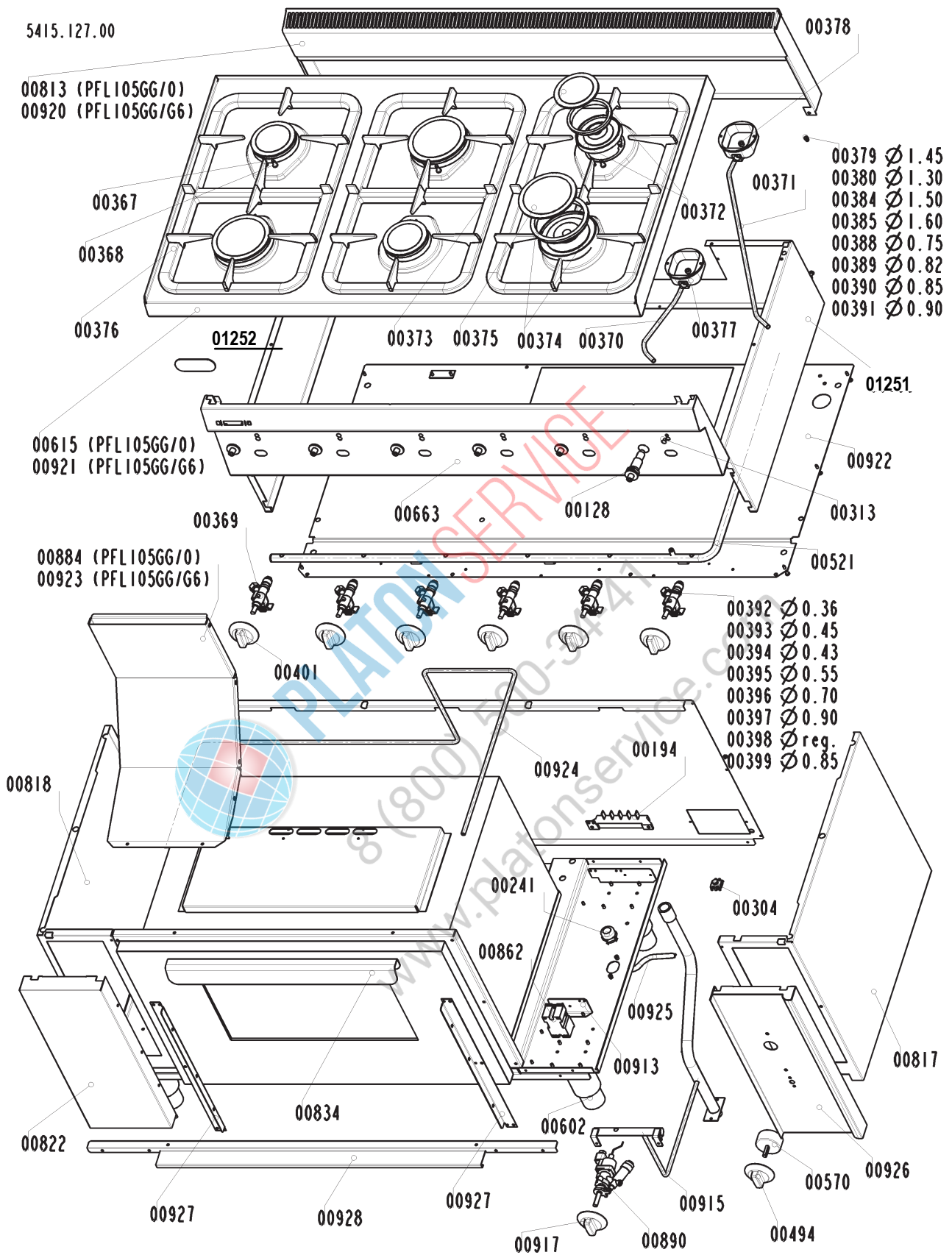
PLATON SERVICE

8 (800) 500-34-41

www.platonservice.com

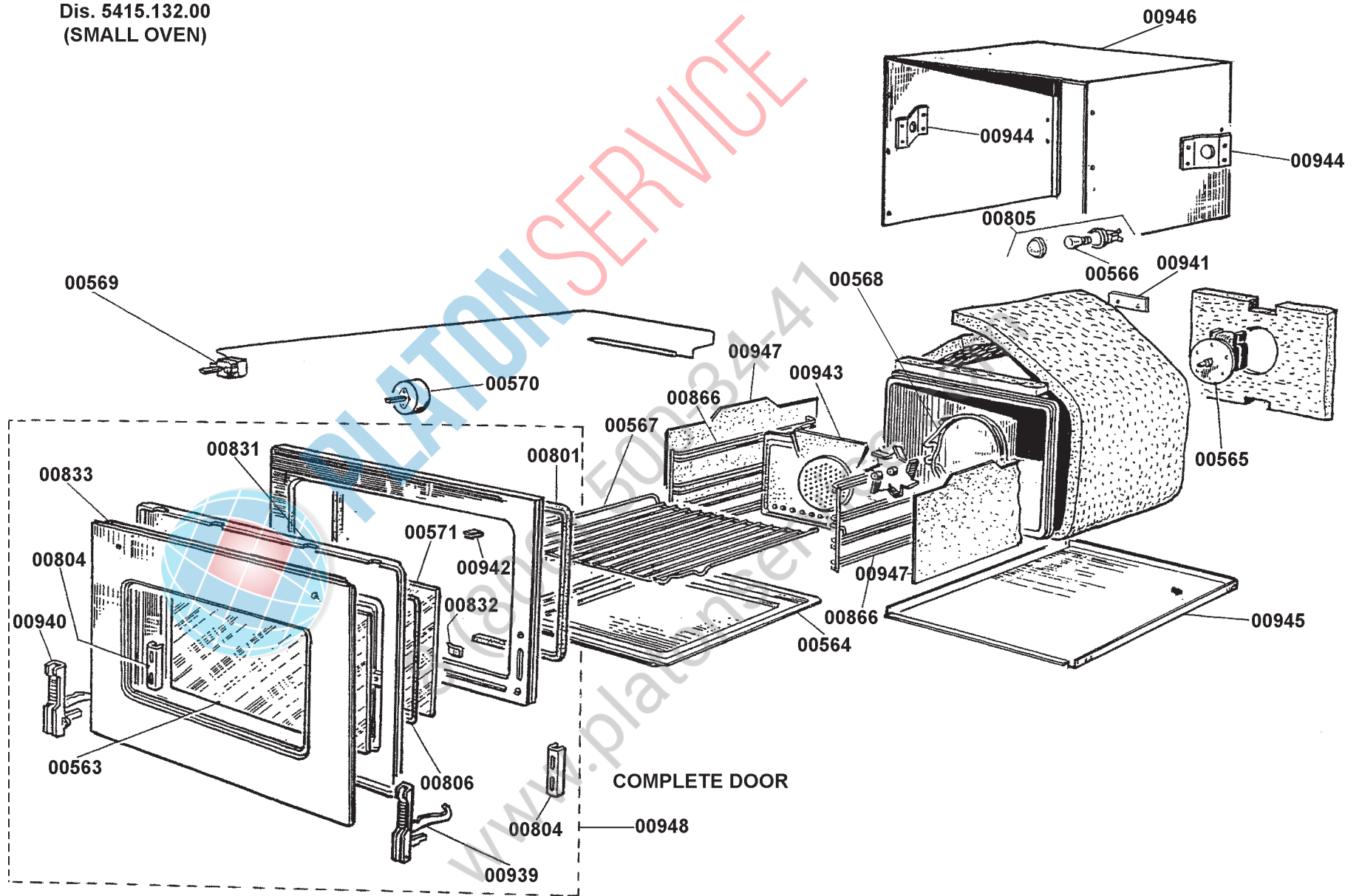






Dis. 5415.132.00  
(SMALL OVEN)

DISIGNI / DIAGRAMS - E



Dis. 5415.133.00  
(LARGE OVEN)

